



GANAL

REARING

Our drinking and feeding system are always adjustable in height.

According to GANAL's design, there are much more supports per meter in its floors, feeding troughs, and other components of the cage. The partition walls which are made of galvanized sheet are used to get a greater protection for birds.

Up to 97% of the material of our cages manufactured at GANAL are made of iron which aims to minimize the usage of plastic.

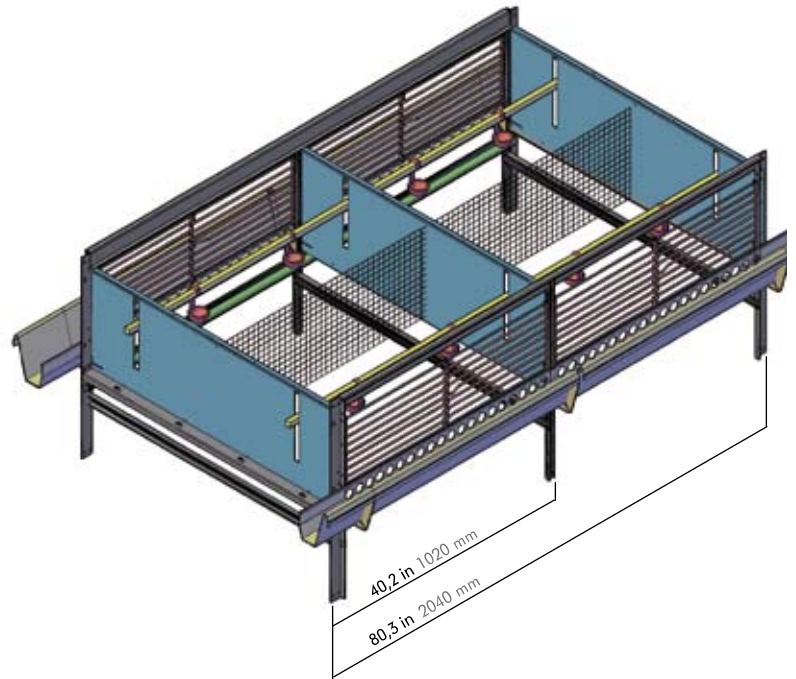
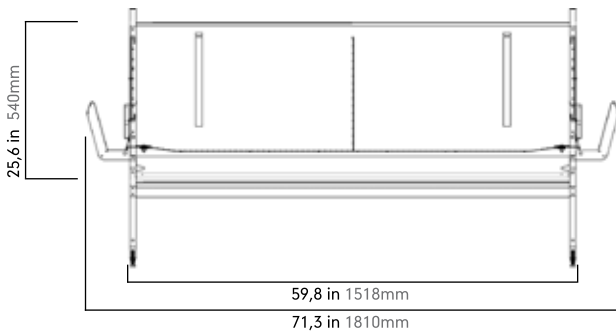
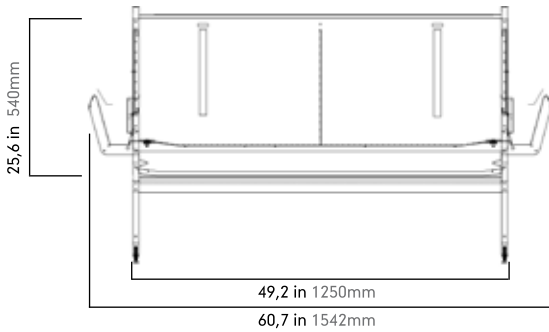


REARING

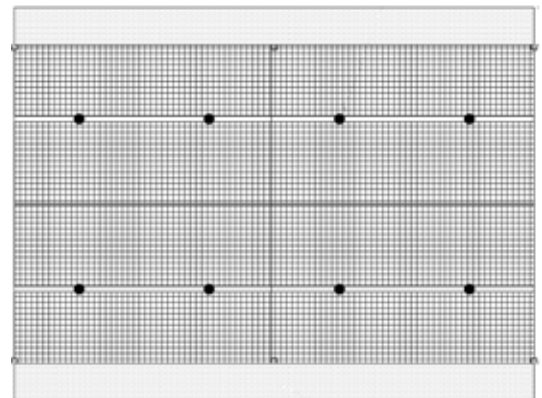
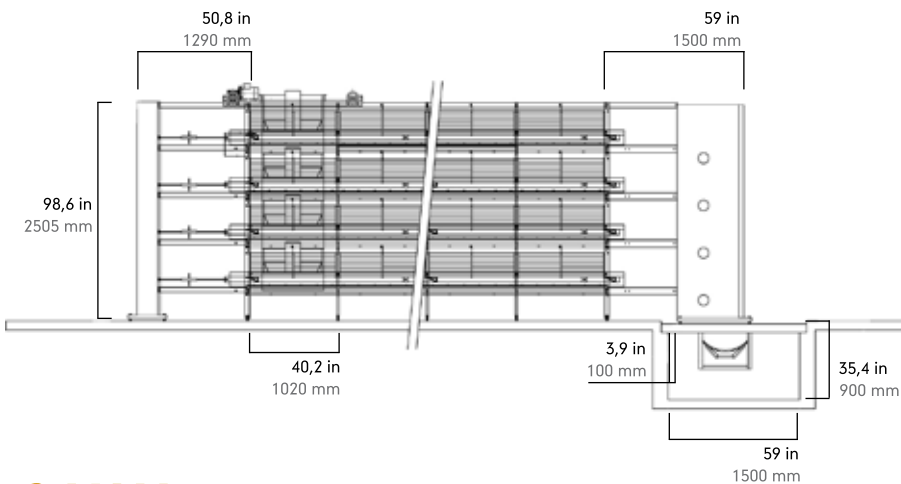
E10

TIERS	3	4	5	6	7	4+4	4+5	5+5
HEIGHT (inch)	84,5	105,8	127,1	148,4	169,7	191	212,3	233,6
HEIGHT (mm)	2145	2685	3225	3765	4305	5385	5925	6465

Trolley Height: 7,5 inch. 190mm
 Cage Length: 80,3 inch. 2040mm
 Height Catwalk: 21,3 inch. 540mm



Plant with two rows of troughs



GANAL
POULTRY EQUIPMENT